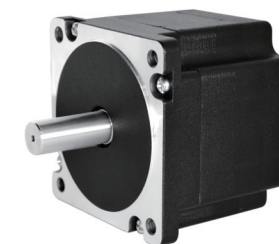


Brushless DC Motors 无刷直流电机

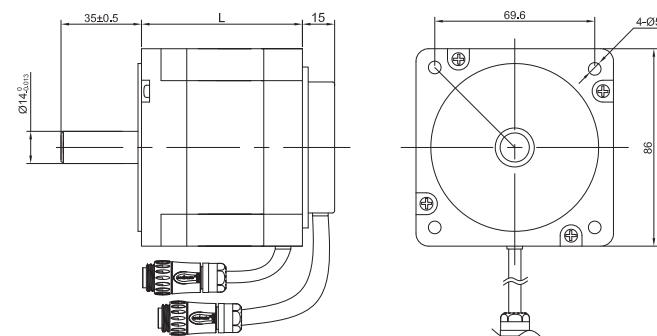
86BSA Series (8Poles 8 极电机)



General Specification

Winding type 绕组连续方式	YWE
Hall effect angle 霍尔分布角度	120 Deg. Electrical angle
Radial play 径向间隙	0.02mm /460g
End play 轴向间隙	0.08mm /400g
Max. radial force 径向最大承受力	220N @ 20mm from the flange
Max. axial force 轴向最大承受力	60N
Insulation class 绝缘等级	B
Dielectric strength 介电强度	500VDC for one minute
Insulation resistance 绝缘电阻	100MΩ min., 500VDC

Dimensions in mm



Performance Data

Model 型号	Units	86BSA058 D010X-01	86BSA058 D030X-01	86BSA071 D010X-01	86BSA071 D030X-01	86BSA098 D010X-01	86BSA098 D030X-01	86BSA125 D010X-01	86BSA125 D030X-01
Number of poles 极数		8							
Number of phase 相数		3							
Rated voltage 额定电压	VDC	48							
Rated speed 额定转速	RPM	1000	3000	1000	3000	1000	3000	3000	3000
Continuous stall torque 持续堵转转矩	N.m	0.42	0.42	0.84	0.84	1.68	1.68	2.2	2.2
Rated torque 额定转矩	N.m	0.35	0.35	0.7	0.7	1.4	1.4	2.1	2.1
Rated power 额定功率	W	24.3	110	73	220	147	440	220	660
Peak torque 峰值转矩	N.m	1.05	1.05	2.1	2.1	4.2	4.2	6.3	6.3
Peak current 峰值电流	A	2.86	8.6	5.7	17.1	11.4	34.3	17.2	51.5
Torque constant 转矩常数	Nm/A	0.324	0.12	0.324	0.12	0.324	0.12	0.324	0.12
Back E.M.F 反电势	V/KRPM	34.28	12.63	34.28	12.63	34.28	12.63	34.28	12.63
Rotor inertia 转动惯量	Kg.cm ²	0.4	0.4	0.8	0.8	1.6	1.6	2.4	2.4
Body length 电机长度	mm	58	58	71	71	98	98	125	125
Voltage range 电压范围	VDC	12~310							
Speed Range 转速范围	RPM	1000~3000							
Weight 重量	Kg	1.5	1.5	1.9	1.9	2.6	2.6	4	4