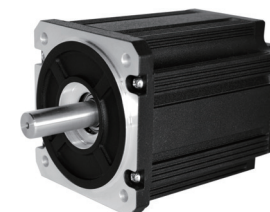


# Brushless DC Motors 无刷直流电机

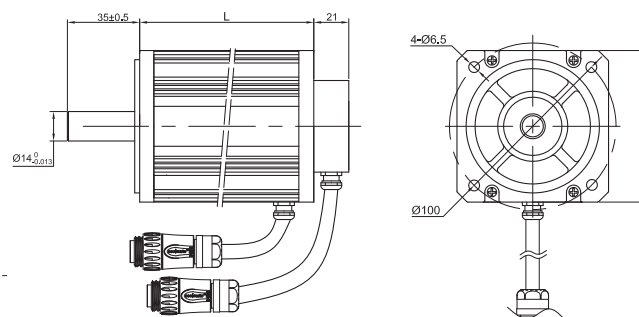
## 90BSA Series (8Poles 8 极电机)



### General Specification

Winding type 绕组连续方式	YWE
Hall effect angle 霍尔分布角度	120 Deg. Electrical angle
Radial play 径向间隙	0.02mm /460g
End play 轴向间隙	0.08mm /450g
Max. radial force 径向最大承受力	220N @ 20mm from the flange
Max. axial force 轴向最大承受力	60N
Insulation class 绝缘等级	B
Dielectric strength 介电强度	500VDC for one minute
Insulation resistance 绝缘电阻	100MΩ min., 500VDC

### Dimensions in mm



### Performance Data

Model 型号	Units	90BSA068 A030X-01	90BSA075 B030X-01	90BSA088 D010X-01	90BSA088 D030X-01	90BSA108 D010X-01	90BSA108 D030X-01	90BSA136 I010X-01	90BSA136 I030X-01
Number of poles 极数							8		
Number of phase 相数							3		
Rated voltage 额定电压	VDC	12	24	48	48	48	48	310	310
Rated speed 额定转速	RPM	3000	3000	1000	3000	1000	3000	1000	3000
Continuous stall torque 持续堵转转矩	N.m	0.6	0.8	1	1	1.9	1.9	3	3
Rated torque 额定转矩	N.m	0.5	0.7	0.85	0.85	1.7	1.7	2.5	2.5
Rated power 额定功率	W	157	220	89	267	178	534	262	785
Peak torque 峰值转矩	N.m	1.5	2.1	2.55	2.55	5.1	5.1	7.5	7.5
Peak current 峰值电流	A	50.4	70.5	7.9	21.4	16.9	42.8	4	9.7
Torque constant 转矩常数	Nm/A	0.03	0.03	0.324	0.119	0.302	0.119	1.89	0.77
Back E.M.F 反电势	V/KRPM	3.15	3.15	34.3	12.6	32	12.6	200	81.5
Rotor inertia 转动惯量	Kg.cm <sup>2</sup>	0.6	0.8	1.2	1.2	1.8	1.8	2.65	2.65
Body length 电机长度	mm	68	75	88	88	108	108	136	136
Voltage range 电压范围	VDC			12~80				48~310	
Speed Range 转速范围	RPM				1000 ~ 3000				
Weight 重量	Kg	1.4	1.7	2.1	2.1	2.6	2.6	4.1	4.1