

# Brushless DC Motors 无刷直流电机

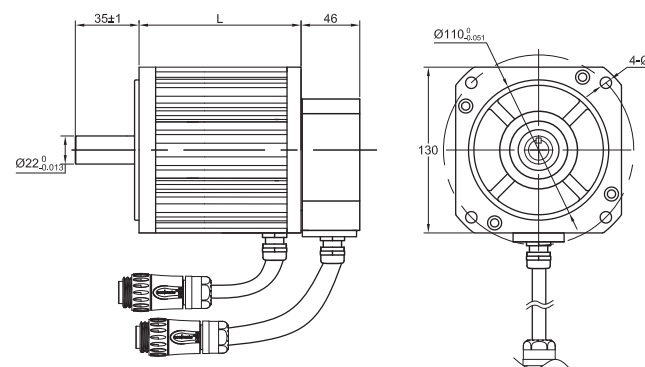
## 130BSA Series



### General Specification

Winding type 绕组连续方式	YWE
Hall effect angle 霍尔分布角度	120 Deg. Electrical angle
Radial play 径向间隙	0.02mm @460g
End play 轴向间隙	0.08mm @450g
Max. radial force 径向最大承受力	220N @ 20mm from the flange
Max. axial force 轴向最大承受力	60N
Insulation class 绝缘等级	B
Dielectric strength 介电强度	500VDC for one minute
Insulation resistance 绝缘电阻	100MΩ min., 500VDC

### Dimensions in mm



### Performance Data

Model 型号	Units	130BSA120D030X-01	130BSA155I030X-01
Number of poles 极数		4	4
Number of phase 相数		3	3
Rated voltage 额定电压	VDC	48	310
Rated speed 额定转速	RPM	3000	3000
Continuous stall torque 持续堵转转矩	N.m	2.8	5.5
Rated torque 额定转矩	N.m	2.5	5
Rated power 额定功率	W	785	1570
Peak torque 峰值扭矩	N.m	7.5	15
Peak current 峰值电流	A	70	21.7
Torque constant 转矩常数	Nm/A	0.012	0.077
Back E.M.F 反电势	V/KRPM	8.93	8.93
Rotor inertia 转动惯量	g.cm <sup>2</sup>	2.4	4.8
Body length 电机长度	mm	120	155
Voltage range 电压范围	VDC	48 ~ 310	
Speed Range 转速范围	RPM	1000 ~ 3000	
Weight 重量	Kg	5	7