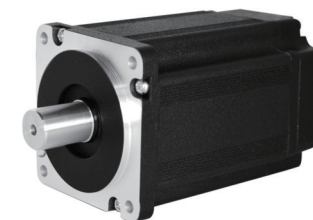


Brushless DC Motors 无刷直流电机

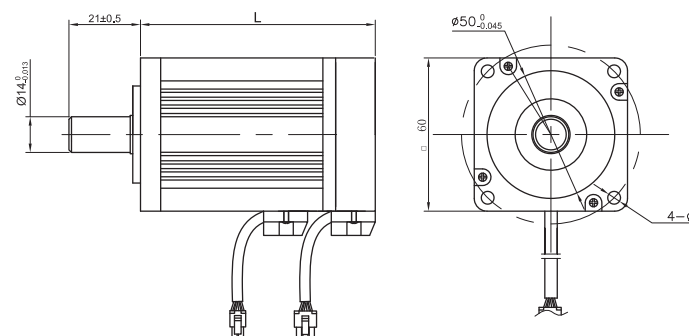
60BSA Series



General Specification

Winding type 绕组连续方式	Delta
Hall effect angle 霍尔分布角度	120 Deg. Electrical angle
Radial play 径向间隙	0.025mm /460g
End play 轴向间隙	0.025mm /400g
Max. radial force 径向最大承受力	220N @ 20mm from the flange
Max. axial force 轴向最大承受力	60N
Insulation class 绝缘等级	B
Dielectric strength 介电强度	500VDC for one minute
Insulation resistance 绝缘电阻	100MΩ min., 500VDC

Dimensions in mm



Performance Data

Model 型号	Units	60BSA072 B010X-01	60BSA072 B030X-01	60BSA092 B010X-01	60BSA092 B030X-01	60BSA114 B010X-01	60BSA114 B030X-01	60BSA134 B010X-01	60BSA134 B030X-01
Number of poles 极数									
Number of phase 相数									
Rated voltage 额定电压	VDC								
Rated speed 额定转速	RPM	1000	3000	1000	3000	1000	3000	1000	3000
Continuous stall torque 持续堵转转矩	N.m	0.38	0.38	0.78	0.78	1.2	1.2	1.56	1.56
Rated torque 额定转矩	N.m	0.32	0.32	0.65	0.65	1	1	1.3	1.3
Rated power 额定功率	W	33.5	100	68	204	105	314	136	408
Peak torque 峰值转矩	N.m	0.96	0.96	1.95	1.95	3	3	3.9	3.9
Peak current 峰值电流	A	6	17.9	12.2	36.5	18.8	56	24.3	73
Torque constant 转矩常数	Nm/A	0.16	0.054	0.16	0.054	0.16	0.054	0.16	0.054
Back E.M.F 反电势	V/KRPM	17.14	6	17.14	6	17.14	6	17.14	6
Rotor inertia 转动惯量	g.cm ²	70	70	140	140	210	210	280	280
Body length 电机长度	mm	72	72	92	92	114	114	134	134
Voltage range 电压范围	VDC								
Speed Range 转速范围	RPM								
Weight 重量	Kg	0.55	0.55	0.95	0.95	1.35	1.35	1.75	1.75